

MANUAL CHANGES

MANUAL IDENTIFICATION
 Model Number: 437B
 Date Printed: Nov 1988
 Part Number: 00437-90016

MANUAL CHANGE
 Serial Prefix: 3125U
 Part Number: 00437-90029
 PRINT DATE: 06 FEB 1992



This supplement contains important information for correcting manual errors and for adapting the manual to instruments containing improvements made after the printing of the manual.

To use this supplement:

Make all ERRATA corrections.

Make all appropriate serial number related changes indicated in the tables below.

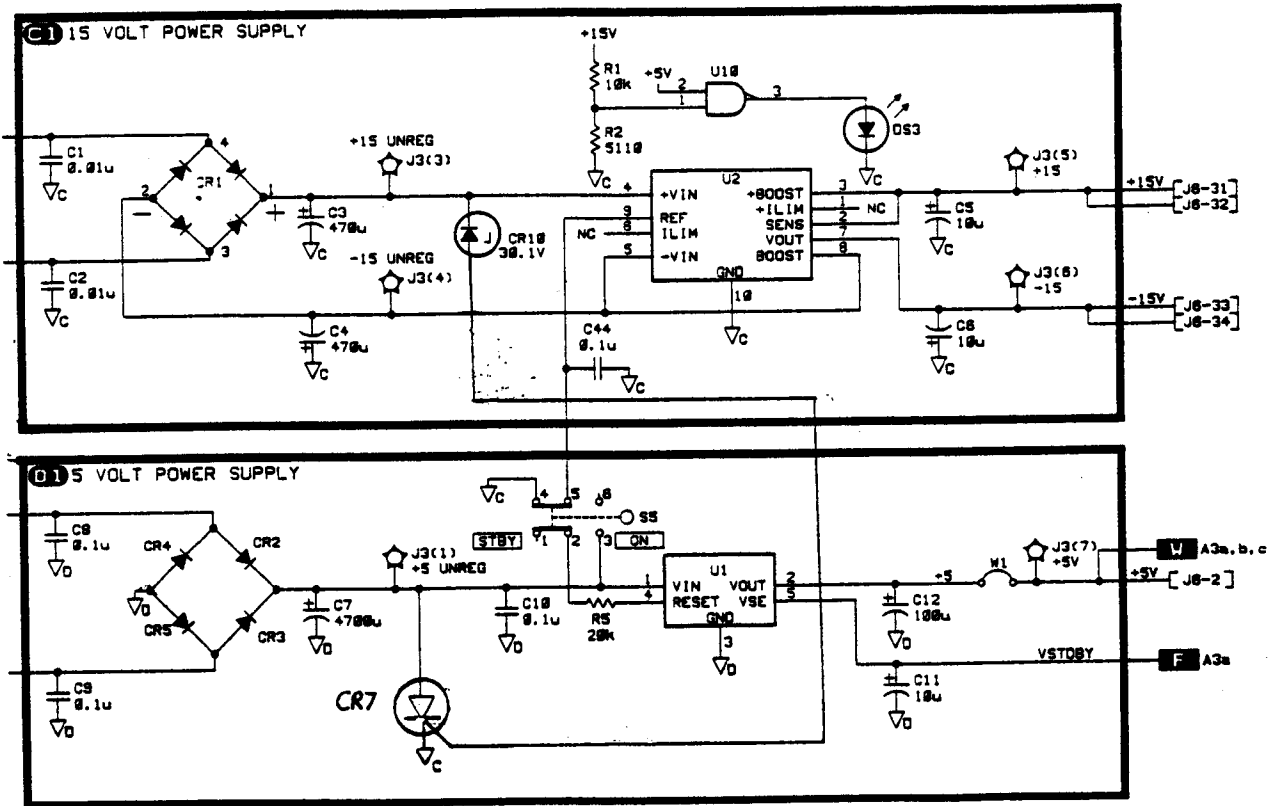
serial prefix or number	make manual changes	serial prefix or number	make manual changes
2912U	1		
3125U	2		

NOTE

Manual change supplements are revised as often as necessary to keep manuals as current and accurate as possible. Agilent Technologies recommends that you periodically request the latest edition of the supplement. Free copies are available from all Agilent offices. When requesting copies quote the manual identification information from your supplement or the model number and print date from the title page of the manual.

Page 6-6, Replaceable Parts List:
 Change A3 part number to 00437-60035
 Delete A3CR7, A3CR11 and A3R4
 Add A3CR7 SCR 1884-0310

Page 8-57/58, A3 Schematic Diagram:
 Modify the schematic as follows;



p/o Figure 8-23

CHANGE 2

Page x-x, Replaceable Parts List:

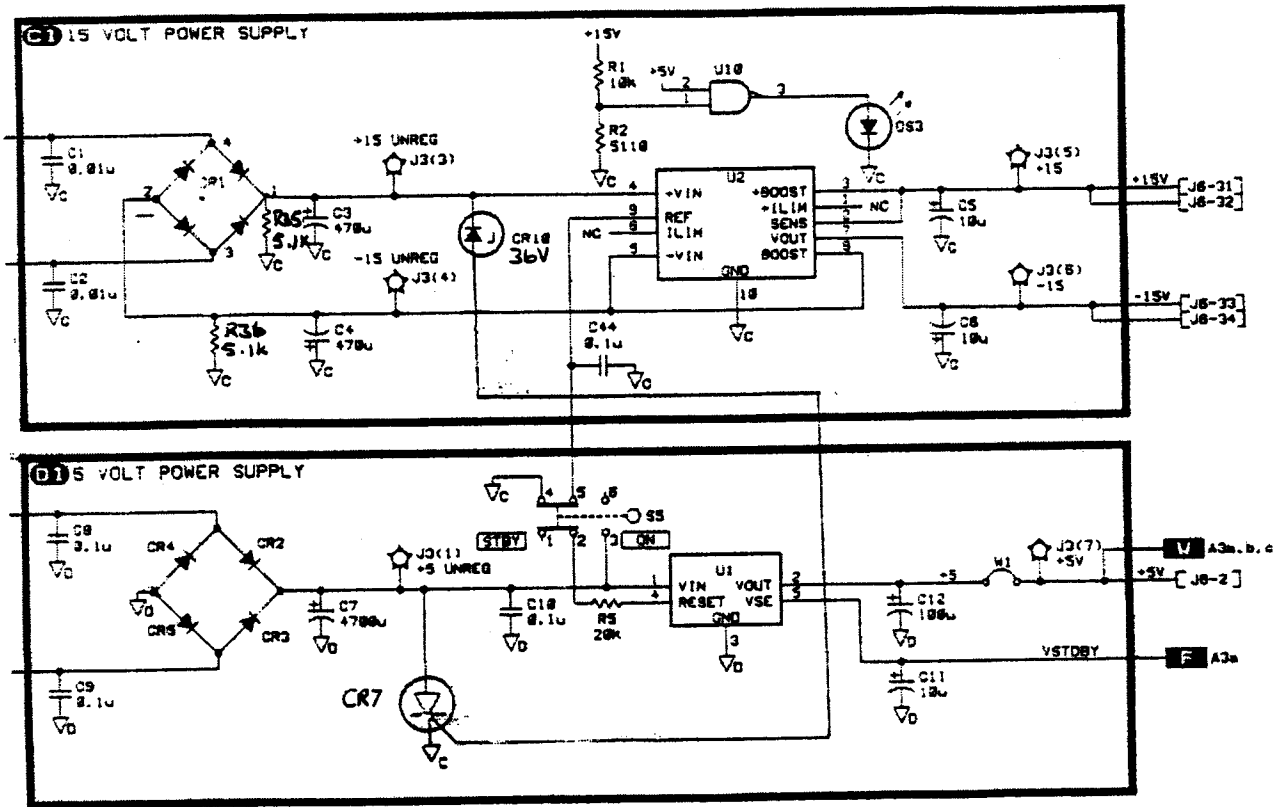
Change A3DS3 part number to 00437-60040

Change A3CR10 part number to 1902-1345 (36V zener)

Add A3R35, A3R36 0683-5125 R FXD 5.1K OHM

Page 8-57/58, A3 Schematic Diagram

Modify the schematic as follows:



p/o Figure 8-23